

LDC031 Series

Trolley

All-in-One Direct View LED Display

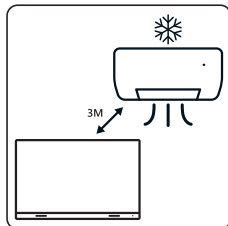
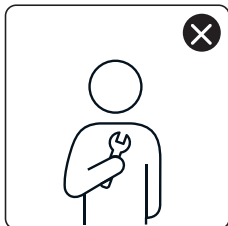
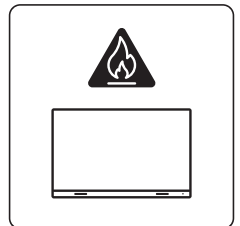
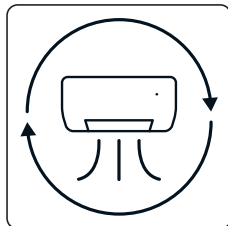
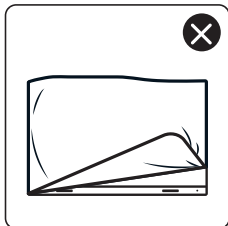
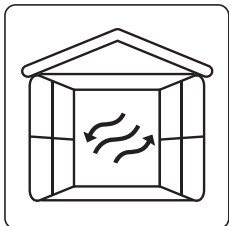
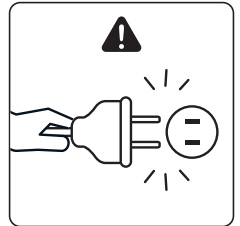
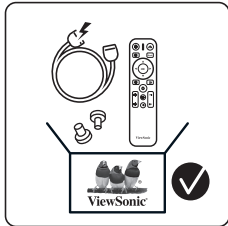
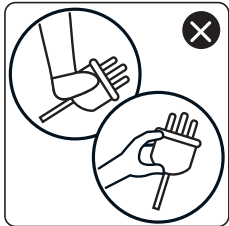
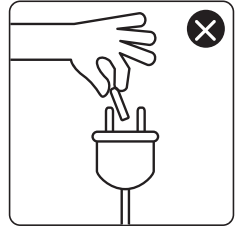
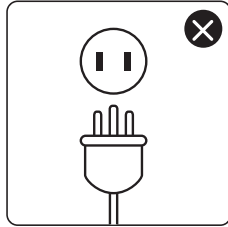
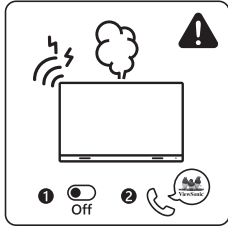
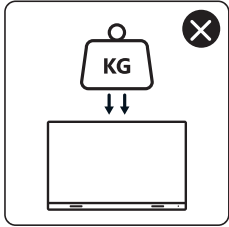
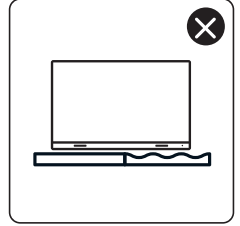
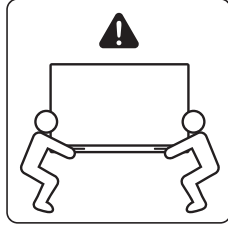
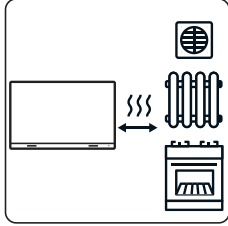
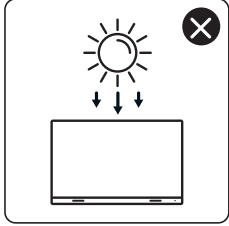
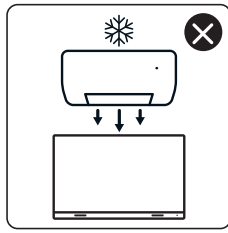
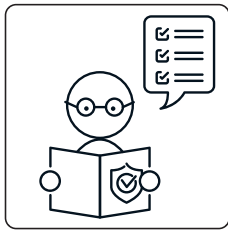
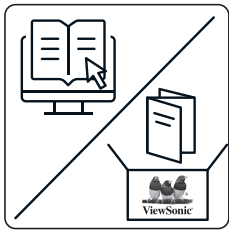
Installation Guide

快速入門指南

Guide de démarrage rapide

Schnellstartanleitung

Guía rápida de inicio



FCC Compliance Statement

This device complies with part 15 of FCC Rules. Operation is subject to the following two conditions: (1) this device may not cause harmful interference, and (2) this device must accept any interference received, including interference that may cause undesired operation.

Industry Canada ICES-003 Statement: CAN ICES-003(B) / NMB-003(B)

CE Conformity for European Countries

The device complies with the EMC Directive 2014/30/EU, Low Voltage Directive 2014/35/EU and Radio Equipment Directive 2014/53/EU.

Declaration of RoHS2 Compliance

This product has been designed and manufactured in compliance with Directive 2011/65/EU of the European Parliament and the Council on restriction of the use of certain hazardous substances in electrical and electronic equipment (RoHS2 Directive) and is deemed to comply with the maximum concentration values issued by the European Technical Adaptation Committee (TAC).

For EU users, please contact us for any safety/accident issue experienced with this product:

ViewSonic Europe Limited



Haaksbergweg 75
1101 BR Amsterdam
Netherlands



+31 (0) 650608655



EPREL@viewsoniceurope.com



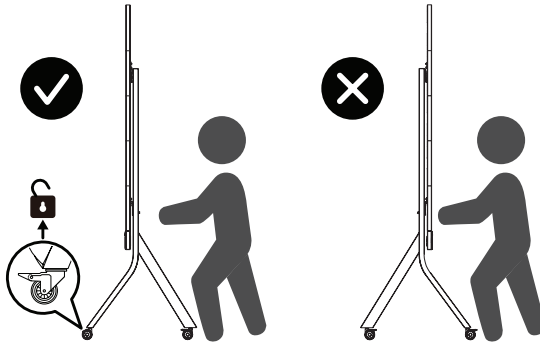
<https://www.viewsonic.com/eu/>

Introduction

The step-by-step instructions in this guide are a general reference for installing the LED Display. If any details in this document are unclear, please contact your reseller for more information.

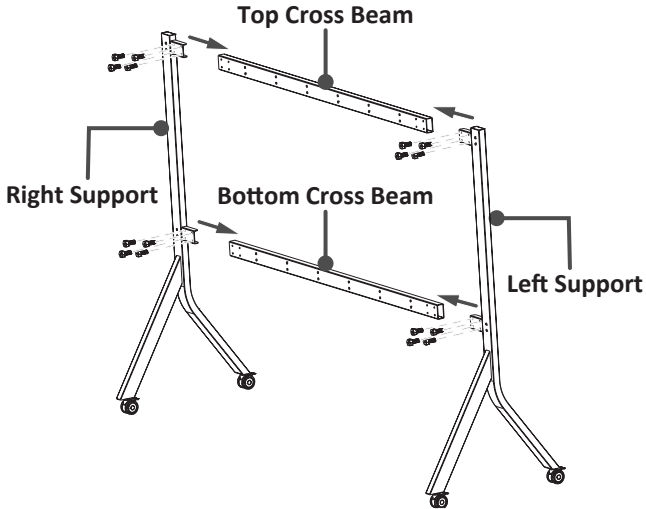
Before Building

- ❗ DO NOT move the trolley over cords or uneven, dirty, soft, or high incline surfaces.
- ❗ To avoid injury, KEEP AWAY from moving parts.
- ❗ DO NOT move the trolley by pushing on the LED Display.
- ❗ DO NOT push the trolley from the front of the LED Display or attempt to lift it.
- ❗ Wear protective gear, such as gloves and protective shoes, when handling the LED Display.



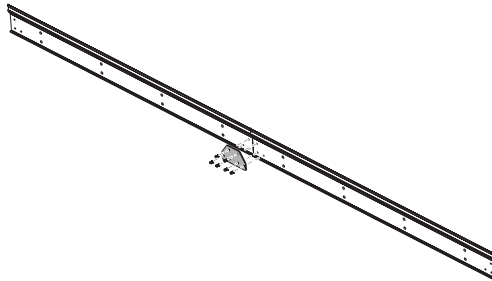
Building the Trolley

1. Install the Top and Bottom Cross Beams to the Left and Right Supports. Secure them together with the provided screws (M8 x 20 mm).



Building the Trolley (Rear View)

2. Connect the first and second Upper Wall Mount Brackets using the Wall Mount Connector Plate with the six provided screws (PM6 x 10 mm).



3. Repeat **Step 2** for the remaining Upper Wall Mount Bracket(s).
4. Install the Upper Wall Mount Brackets to the Top Cross Beam with the provided screws (M8 x 80 mm), lock washers, and nuts.
5. Install the Cabinet Brackets to the lower side of the Left and Right Supports with the provided screws and nuts. The Cabinet Brackets are used later for further securing the lower part of the Cabinets to the trolley.

NOTE: Refer to Appendix A for the position of the Wall Mount Brackets.

Installing the Cabinets

Before installing the Cabinets onto the trolley, please ensure all parts are accurately and securely held together.

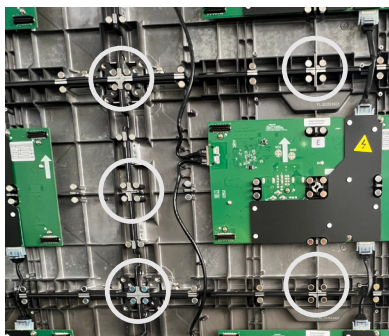
1. Place each section of the Cabinet on stable furniture that can safely support them. Start with the Cabinets from the center, then move to the right and left sides of the Wall Mount Brackets (see Appendix B to identify Cabinet sections and installation sequence).

NOTE:

- One Cabinet is divided into separate sections. You can identify these Cabinet sections by the labels on each section or the package.
 - The arrow marks on each Cabinet section should be pointing up.
2. Attach the Cabinet sections together with the provided screws (M8 x 20 mm).
 3. Carefully lift the assembled Cabinet onto the center of the trolley.

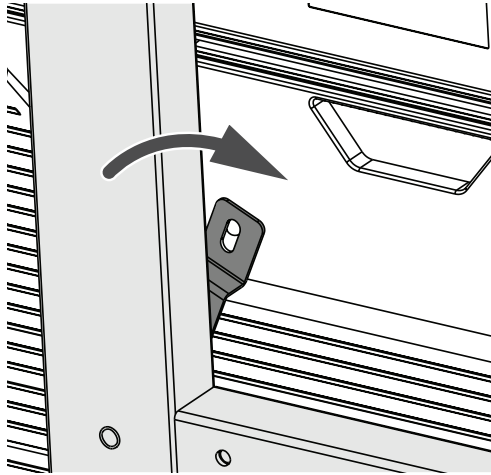
NOTE: Ensure the Mounting Brackets on the rear of the Cabinet sit securely on the Upper Wall Mount Bracket.

4. Repeat **Step 1~2** for the second Cabinet.
5. Install the first and second Cabinets together with the provided screws (M8 x 20 mm).
6. Check for unevenness of the Cabinets by rubbing the cross section between each Cabinet. If the cross section is not aligned, loosen the M8 screws slightly and tap the Cabinets until the cross section is flat.

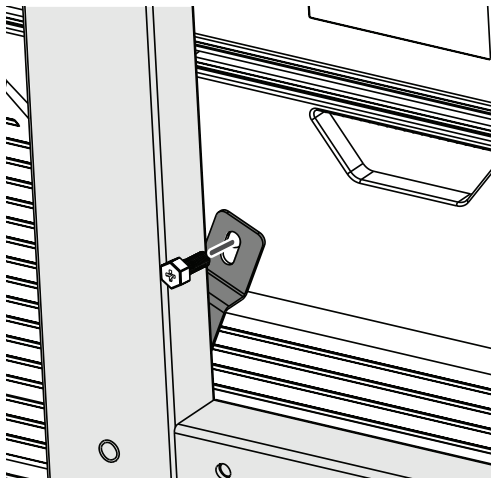


7. Repeat **Step 1~6** for the remaining Cabinets, ensuring that the Mounting Brackets sit securely on the Upper Wall Mount Brackets, and that the Cabinets are properly secured together.

8. Adjust the left Cabinet Bracket until it is aligned with the hole provided in the Cabinet.



9. Secure the left Cabinet Bracket to the Cabinet with the provided screw (M8 x 20 mm).



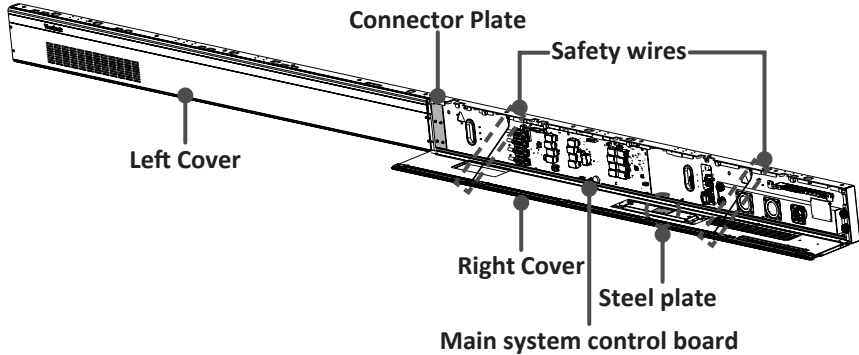
10. Install the right Cabinet Bracket in the same manner as the left Cabinet Bracket.

NOTE: When you use the trolley for your LED Display, the System Control Box can only be installed under the Cabinets (Standard Installation). Hidden and Separate Installation are not applicable to the trolley.

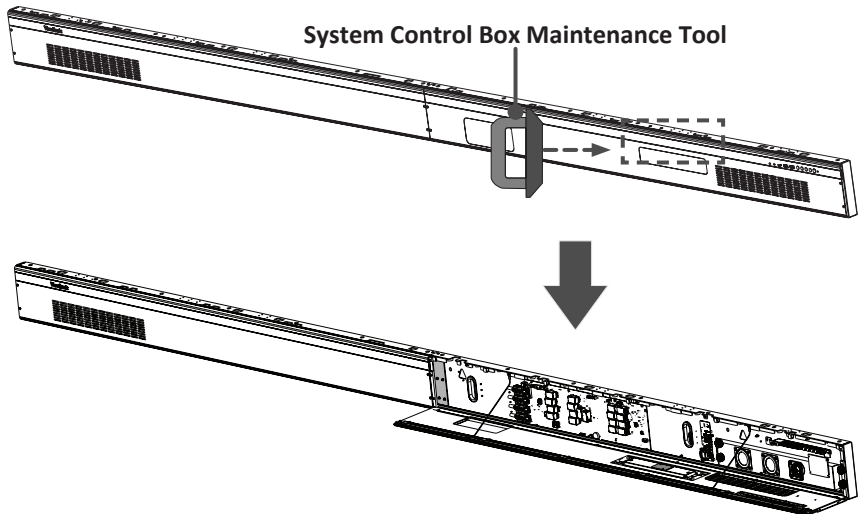
Connecting and Installing the System Control Box

The left and right sides of the System Control Box are pre-installed with its Covers in the factory. The main system control board is on the right.

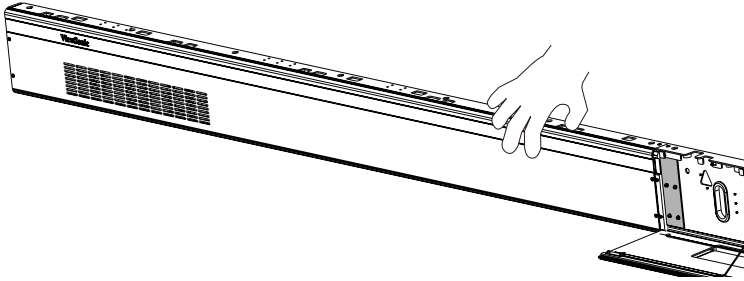
- ❗ The safety wires are used to prevent the Right Cover from falling when accessing the System Control Box. Please ensure that the safety wires are never removed.
- ❗ Use caution as the System Control Box panel is separated into two pieces with wires attached.



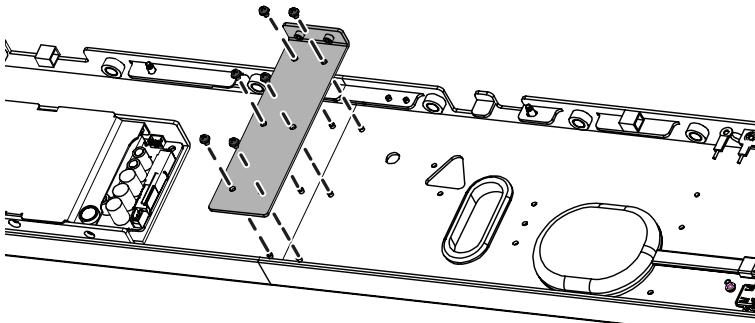
1. Carefully place the System Control Box on stable furniture that can safely support the System Control Box.
 2. To open the Right Cover, slowly bring the supplied System Control Box Maintenance Tool near the surface of the Right Cover where the steel plate is located. Then, the Right Cover should detach from the System Control Box magnetically.
- ❗ DO NOT try to remove or disconnect the safety wires. Please ensure that the safety wires are never removed.



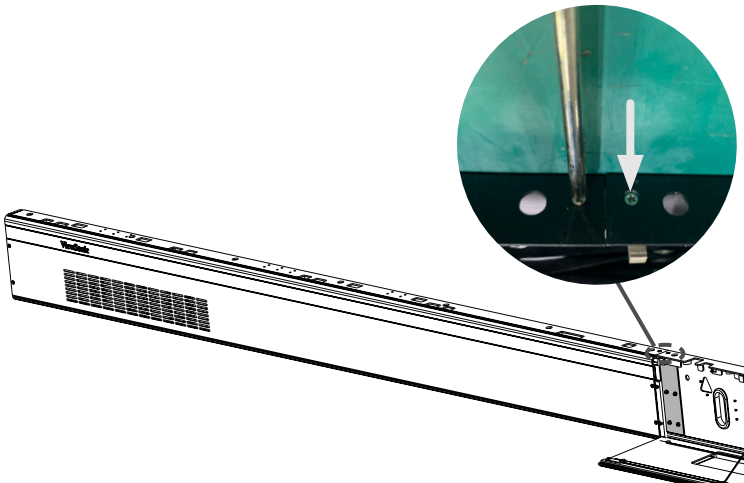
3. Remove the Left Cover by gripping the top edge of the Cover and pulling it toward you. The Left Cover should simply lift away.



4. Secure the System Control Box panel with the Connector Plate using the provided screws (M3 x 6 mm).



5. Further secure the Connector Plate with the two provided screws (M3 x 6 mm).



6. Install the System Control Box to the bottom of the Cabinets with the provided screws (M8 x 20 mm). See Appendix B for the mounting points.
7. Connect the Power and Network Cables from the System Control Box to each Cabinet. Start from the bottom and move to the top (see Appendix B for example system wiring diagrams, including wire colors and connection points).

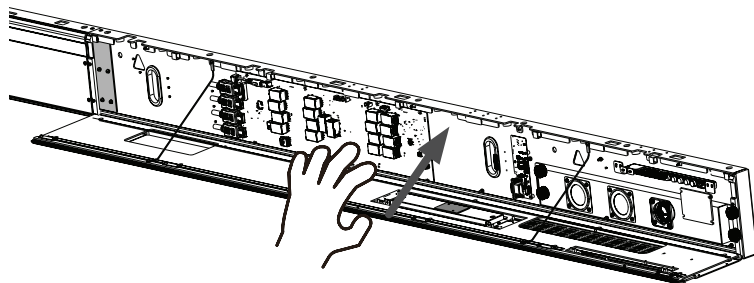
NOTE: Ensure to match the corresponding letters on the Cables to the Cabinets (A to A, B to B, C to C, and so on).
8. Connect the LED Display's left speaker to the Audio Out port of the system control board.

NOTE: Ensure the right speaker is properly connected to the other Audio Out port.
9. Connect the AC unit(s) of the System Control Box to the main system control board.
10. Ensure the AC unit(s) of the System Control Box is properly connected.

❗ DO NOT connect the System Control Box Power Cables at this time.

 - The neutral wires (usually white/blue) are connected to the "N1", "N2", and "N" terminals.
 - The hot wires (usually black/brown) are connected to the "L1", "L2", and "L" terminals.
 - The input and output terminals are properly grounded (2 x AC OUT and 1 x AC IN, usually in green).
 - ❗ The meaning of wiring color may vary by country.
11. After connecting all Cables and wires, hold the top edge of the Right Cover toward the System Control Box to replace it. Once the Right Cover is replaced, it will be held in place magnetically.

NOTE: Ensure the Power Button cable is connected before securing the Right Cover.



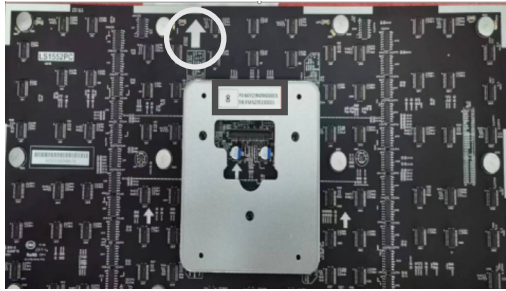
12. Replace the Left Cover by aligning it properly with the System Control Box; then the Left Cover should attach magnetically.

Installing the LED Modules

- ❗ Please wear Anti-Static Gloves before handling the LED Modules.
- ❗ To avoid direct contact with the LED Modules, please remove watches, rings, bracelets, or other metal objects.
- ❗ Use caution when installing the LED Modules.

1. Starting from the LED Module labeled "1" in the top left corner, align each LED Module with the Cabinet, then carefully press the Module into place.

NOTE: The arrow mark on the back of the LED Modules should be pointing up.



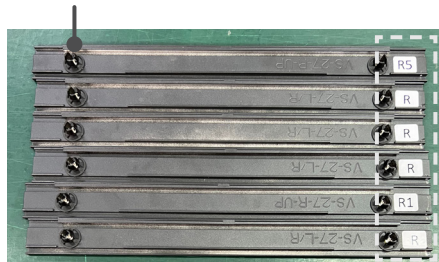
2. Attach the remaining LED Modules onto the Cabinets. Install from top left and move to bottom right, ensuring to match the corresponding numbers on the Module to the Cabinet. See Appendix C for further guidance on the LED Modules.

NOTE: Before installing the LED Module, ensure that each Module is flush and that there is little to no gap between each. It may be necessary to gently tap the module to make it flush.

Installing the Screen Bezels

- ❗ The Screen Bezels' plastic tabs are pre-installed onto the Bezels. Ensure all plastic tabs are properly mounted before installing the Screen Bezels onto the screen.
- ❗ The label indicates the top of each Screen Bezel. To ensure the Bezels are installed in the correct position, please use the labels on the inside of the Bezels as a guide.

Plastic tabs



1. Place the Screen Bezels to the correct side of the screen to attach. Start from the left and move to the right.

NOTE:

- Ensure the label side of the Screen Bezel is facing the screen.
 - Before installing the Screen Bezels, check the label of each Bezel as the label helps you know which side ("L" = left side & "R" = right side) to attach the Bezel.
 - If a Screen Bezel does not seem to fit, lift it up with caution and check if it is on the correct side to install. If the Bezel does not seem to fit at all, please contact your reseller. **DO NOT** force it into place.
2. Align the plastic tabs of the Screen Bezel with the holes provided in the screen.



3. Press down on the Screen Bezel until you hear it click into place.
4. Place the remaining Screen Bezels onto the left and right sides of the screen.

Turning On the LED Display

1. Make sure the System Control Box Power Cable(s) is connected and plugged into power outlet(s).

NOTE: When the System Control Box Power Cable(s) is connected to a power outlet, the Power Indicator Light will be a steady red. This means the LED Display is in standby mode. Please refer to the User Guide for more details.

2. Your LED Display is now ready to power on.



ViewSonic®